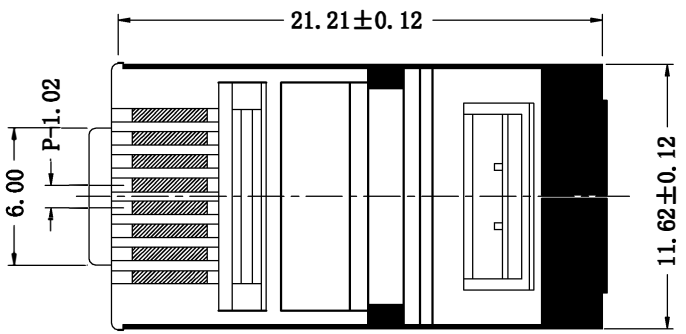
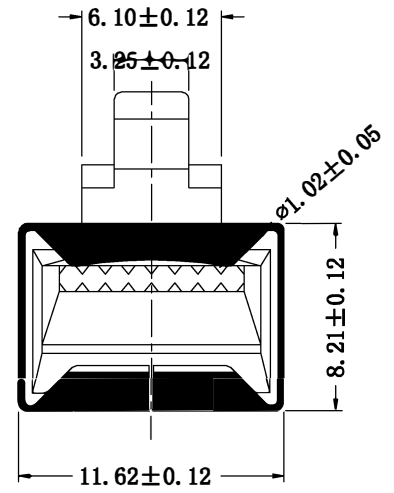
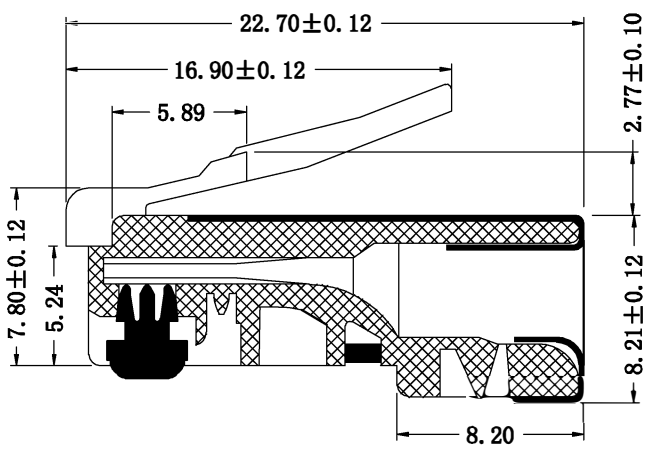
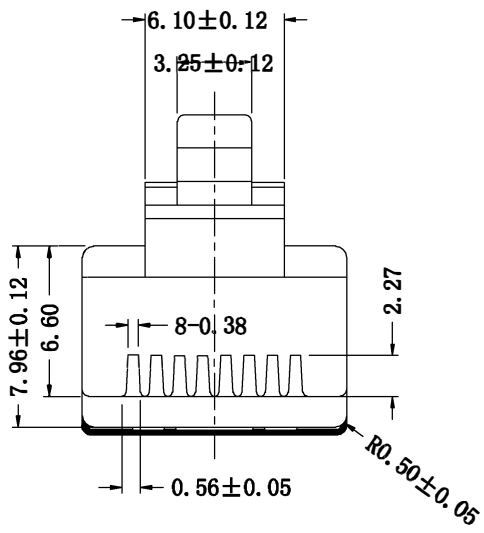
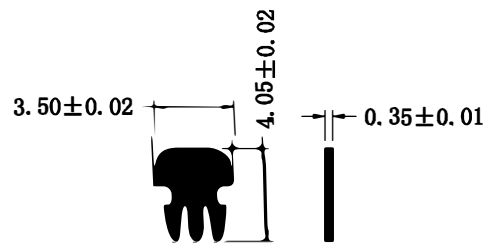


| REV. MARK | ECN NO. | DATE | 修改 | 核准 |
|-----------|---------|------|----|----|
|           |         |      |    |    |
|           |         |      |    |    |



Note: steel thickness  
**0.2mm**



**FEATURES:**

- 1 Electrical Test:
  - A.250V AC max at 2 amps.
  - B.Dielectric with standing 500volts AC.
  - C.Insulation Resistance:500 megahms.
  - D.Termination Resistance:35megahms.
- 2 Mechanical:
  - A.Cable-to-Plug tensile strength-20LBs(89N)min.
  - B.Durability:500 mating cycles.
  - C. gold plating(口01, 口03, 口06, 口15, 口30, 口50)U\*

|                |      |              |                              |            |               |                  |
|----------------|------|--------------|------------------------------|------------|---------------|------------------|
| REV. 版本        | A/0  | DATE 日期      | UNITS 单位                     | MM         | TITLE 产品名称    | 8P-8C(R) PLUG/屏蔽 |
| DRAWN 绘图       |      | 2012. 07. 01 | SCALE 比例                     | FULL       | PART NO. 产品编号 | RJ45-5F          |
| APPROVED 审核    |      | MATERIAL 材质  | TOL. 公差                      | 0.00 ±0.12 | VIEW 视图       | 第三角法             |
| FIREATING 防火等级 | 94V2 | PC (聚碳酸酯)    | EASE ELECTRONICS CO.,LIMITED |            |               |                  |